

You must complete ALL activities in Part 2.

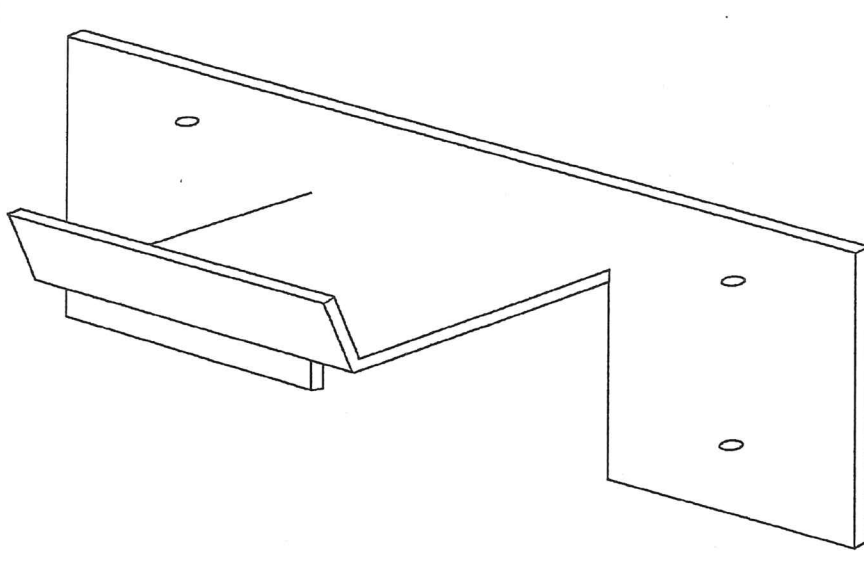
Activity 2a: Evaluation

Explain the issues with the design of the hook.

Think about how the hook is made and how it will be used.

Write your answer in the line space provided on the next page.

You may annotate the diagram to identify the issues with the design of the existing hook.



A large rectangular box containing ten horizontal dotted lines for writing an answer.